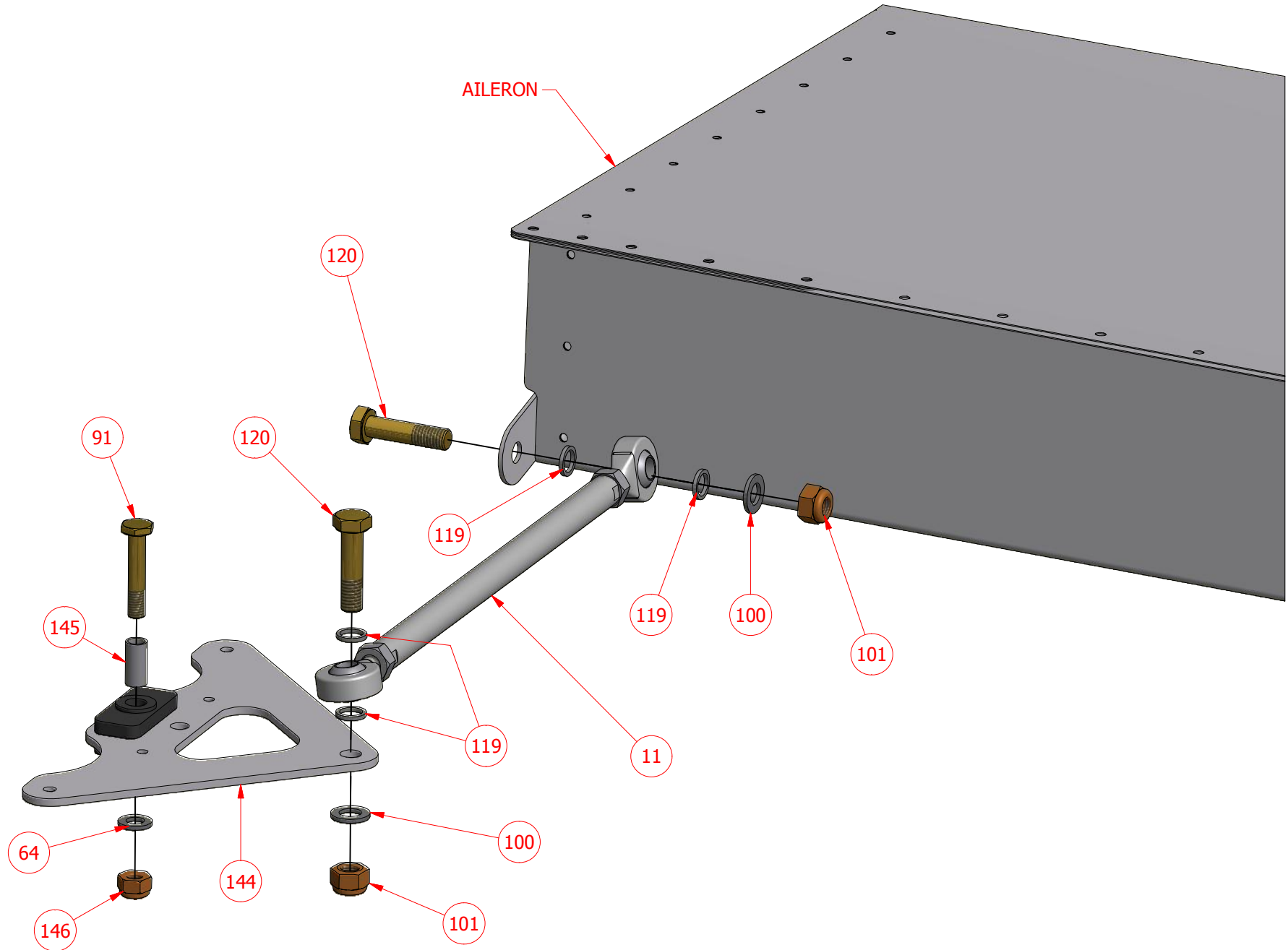
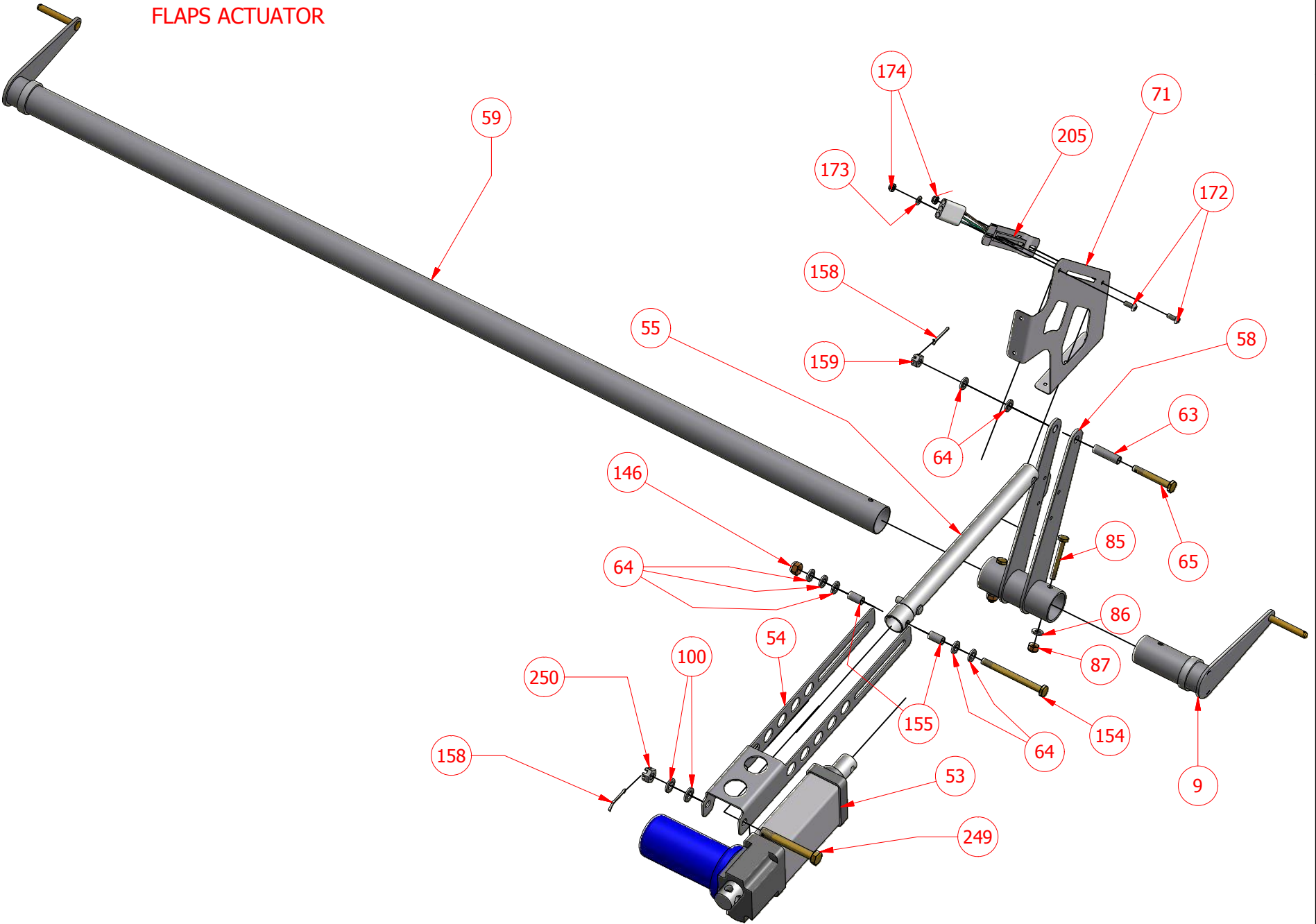


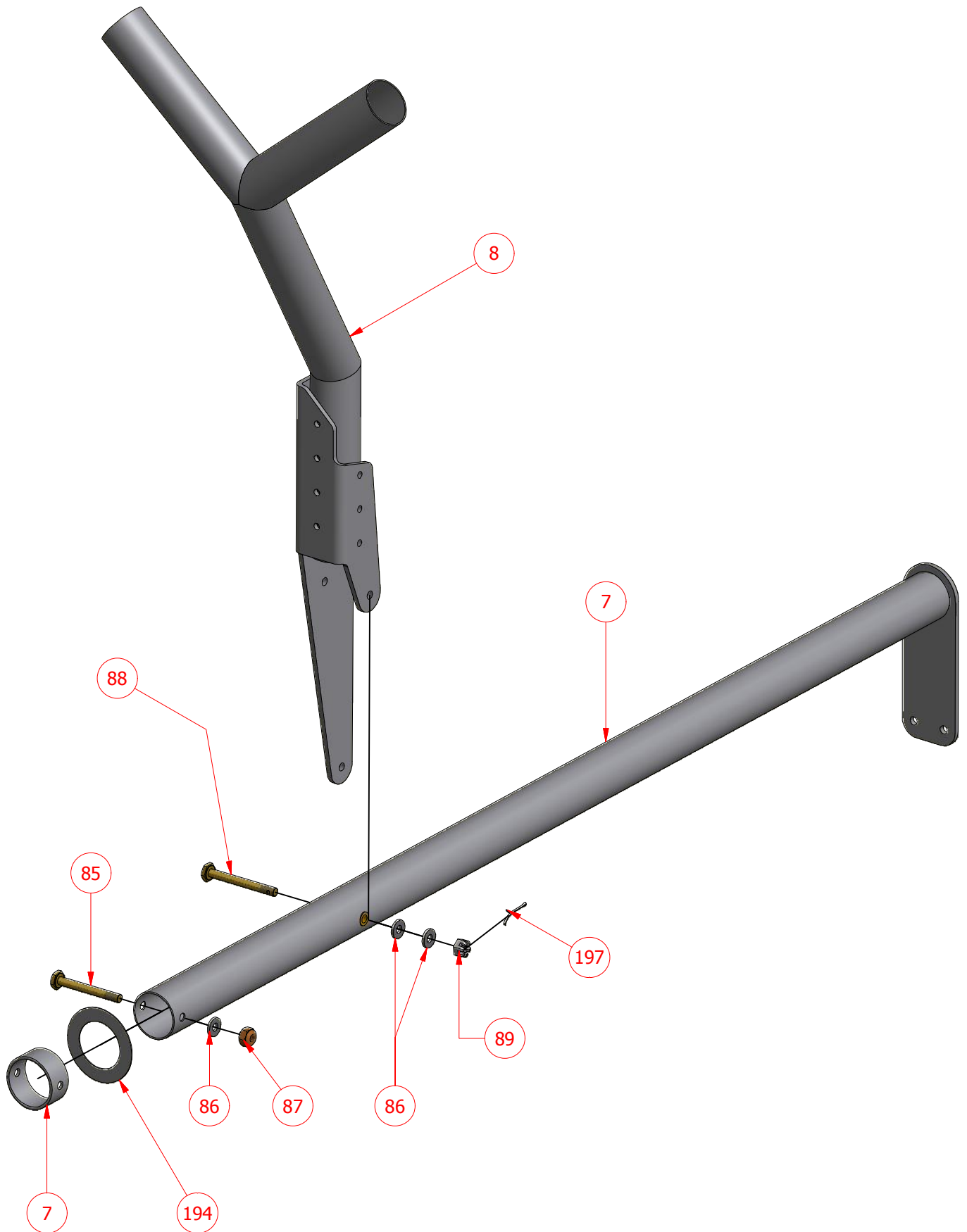
AILERON BELLCRANK



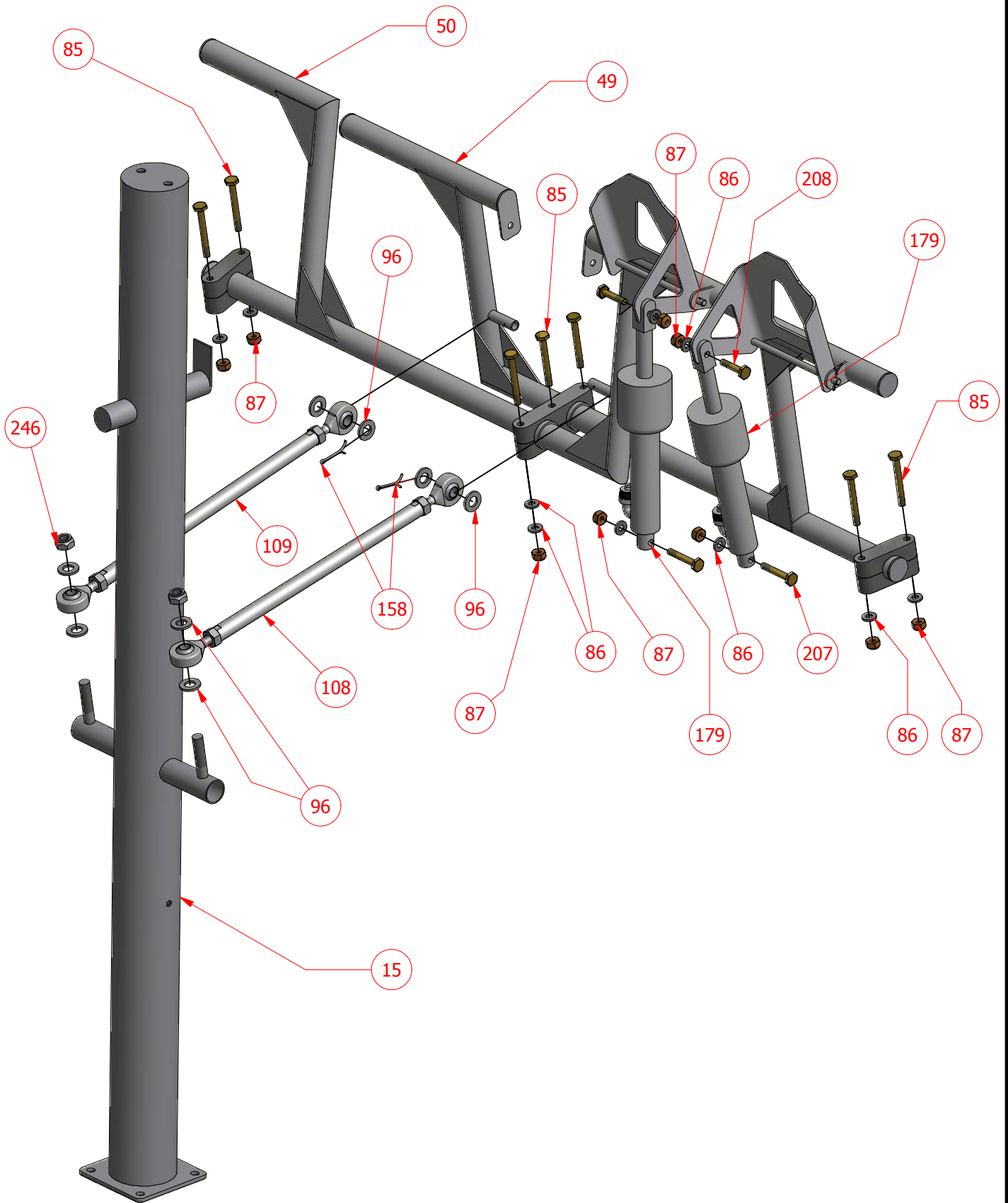
FLAPS ACTUATOR



CONTROLS



CONTROLS



CONTROLS

PART	QTY	S / N	DESCRIPTION
1	1	6-B-24-50	Pitch down cable
2	1	6-B-24-51	Pitch up cable
3	2	6-B-23-51	Rudder cable
4	1	6-B-22-52	Left front aileron cable
5	1	6-B-22-53	Right front aileron cable
6	2	6-B-22-51	Rear aileron cable
7	1	6-B-17	Aileron torque tube
8	1	6-B-17-2	CONTROL COLUMN
9	1	6-B-19-1L	Left flap lever
11	2	6-W-10-5	Aileron rod
15	1	6-G-1-1	Canotto carrello anteriore / Nose gear
49	1	6-B-9-1L	Left pedal
50	1	6-B-9-1R	Right pedal
53	1	94500016	Linear actuator
54	1	6-B-19-52	Staffa finecorsa motorino Mecvel / Mecvel bracket
55	1	6-B-19-53	Linear actuator arm
58	1	6-B-19-3	Flap control arm
59	1	6-B-19-1R	Rigt flap lever
63	1	6-B-19-54	Flap lever bushing
64	9	AN960-4	Rondella / Washer AN960-4
65	1	AN4-15	Vite / Bolt AN4-15
71	1	6-B-19-56	Flap potentiometer suppor
85	10	AN3-15A	Vite / Bolt AN3-15A
86	19	AN960-3	Rondella / Washer AN3
87	18	MS20365-3	Dado autobloccante / Stopnut AN3
88	1	AN3-16	Vite / Bolt AN3-16
89	29	DAN-3	Dado a castello / Castlenut DAN-3
91	2	AN4-12A	Vite / Bolt AN4-15A
96	8	UM0816	Rondella 8 x 16 / Washer 8 x 16
100	6	AN960-5	Rondella / Washer AN960-5
101	4	MS20365-5	Dado autobloccante / Stopnut MS20365-5
108	1	6-G-2-4L	Asta sinistra sterzo / Left steering rod
109	1	6-G-2-4R	Asta sinistra sterzo / Left steering rod
119	8	SC315	Rondella / Washer
120	4	AN5-11A	Vite / Bolt AN5-11A
144	2	6-W-10-1	Aileron bellcrank
145	2	6-W-10-3	Aileron bushing
146	3	MS20365-4	Dado autobloccante / Stopnut AN4
154	1	AN4-24A	Vite / Bolt AN4-15A
155	2	6-B-19-57	Flap actuator spacer
158	4	91CI2020	Coppiglia / cotter pin 2x20 mm
159	1	DAN-4	Dado a castello / Castle nut AN4
172	2	91UC04010	Vite ad esagono incassato / Bolt M4x10
173	2	91UM0408	Rondella / Washer 04x08
174	2	91UE04	Dado autobloccante M4 / M4 Stopnut
179	2	90MT-MT5	Pompa freno / Brake pump
194	1	6-B-17-50	Torque tube shim
197	5	91CI1515	Copiglia / Cotter pin CI1515

CONTROLS

PART	QTY	S / N	DESCRIPTION
205	1	SC172	Flap potentiometer
207	2	AN3-11A	Vite / Bolt AN3-11A
208	2	AN3-07A	Vite / Bolt AN3-07A
246	2	91UE08	Dado autobloccante / Stopnut M8
249	1	AN5-22	Vite / bolt AN5-22
250	1	DAN-5	Dado a castello / Castelnut DAN-5