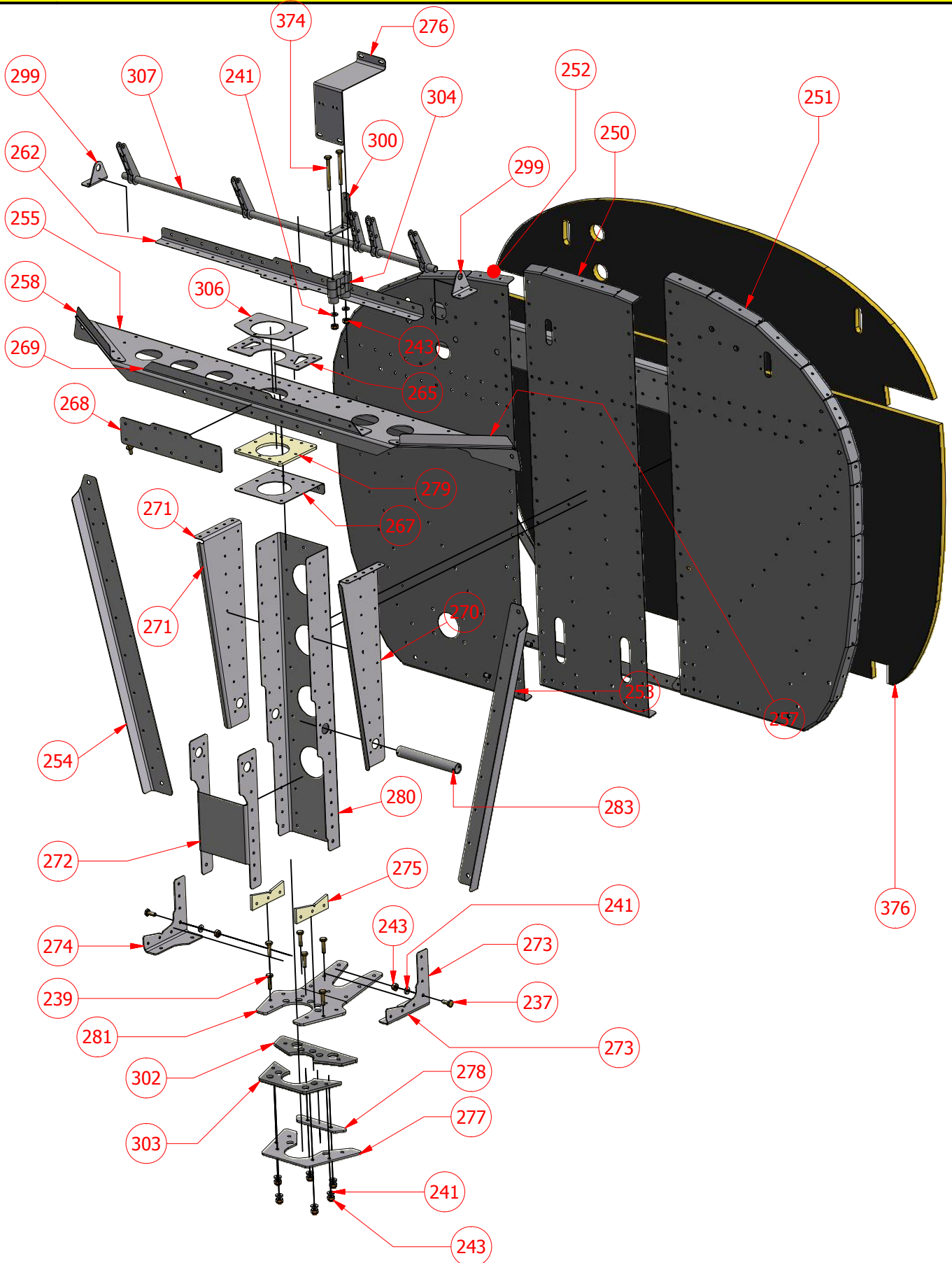
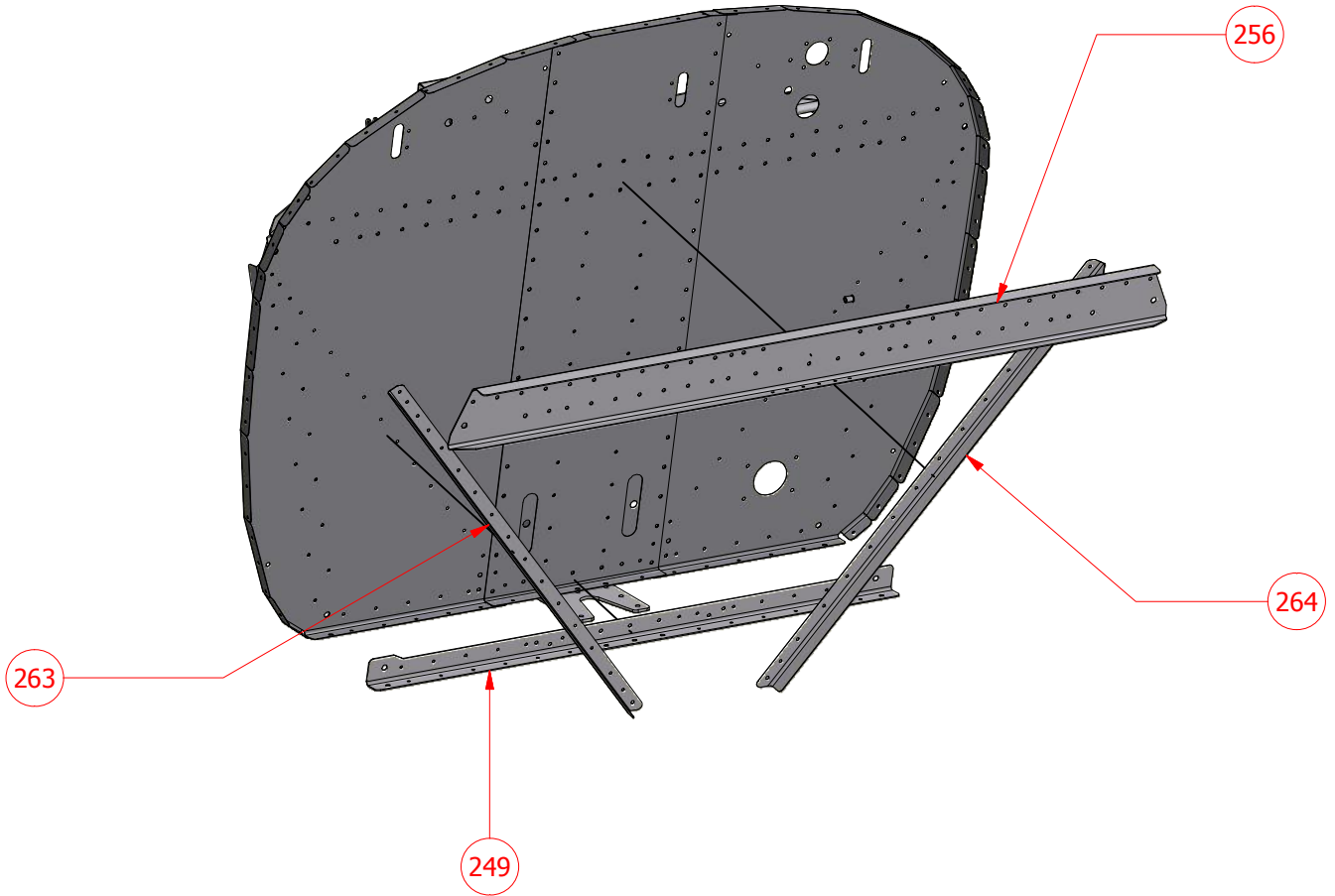


## FIREWALL



## FUSELAGE



## FUSELAGE

## ELENCO PARTI

ELEMENTO	QTÀ	NUMERO PARTE	DESCRIZIONE
237	17	AN3-04A	Vite/Bolt AN4-04A
239	6	AN3-06A	Vite/Bolt AN3-06A
241	124	AN960-3	Rondella / Washer AN3
243	91	MS20365-3	Dado autobloccante / Stopnut AN3
249	1	6-B-6-1	Firewall bottom stiffener
250	1	6-B-6-2C	Central firewal
251	1	6-B-6-2L	Left firewall
252	1	6-B-6-2R	Right firewall
253	1	6-B-6-3L	Left front firewall stiffener
254	1	6-B-6-3R	Right front firewall stiffener
255	1	6-B-7-1	Firewall top stiffener
256	1	6-B-7-2	Firewall reinforcement
257	1	6-B-7-3L	Left side stiffener angle
258	1	6-B-7-3R	Right side stiffener angle
262	1	6-B-7-50	Firewall top stiffener reinforcemet
263	1	6-B-7-51L	Left firewall diagonal angle
264	1	6-B-7-51R	Right firewall diagonal angle
265	1	6-B-7-53	Column shim
267	1	6-B-7-56	Column sliding plate support
268	1	6-B-8-10	Forward stiffener gusset
269	1	6-B-8-11	Upper stiffener angle
270	1	6-B-8-1L	Left gear gusset
271	1	6-B-8-1R	Right gear gusset
272	1	6-B-8-2	Firewall stiffener doubler
273	1	6-B-8-50L	Left lower bearing support
274	1	6-B-8-50R	Right lower bearing support
275	2	6-B-8-54	Nose gear bottom bearing
276	1	6-B-8-55	Accelerator cable plate
277	1	6-B-8-56	Forward bearing guard
278	1	6-B-8-57	Rearward bearing guard
279	1	6-B-8-6	Column sliding plate
280	1	6-B-8-7	Centre firewall stiffener
281	1	6-B-8-9	Lower bearing support
283	1	6-G-2-2	Spring pin
299	2	SF283	Guida asta acceleratore / Leverage angular
300	1	SF284	Angolare fissaggio frizione acceleratore / Friction control angular
302	1	SF352-A	Antirumore inferiore piantone / Plastic plate
303	1	SF352-B	Antirumore inferiore piantone / Plastic plate
304	4	SF417	Supporto frizione gas / Friction support
306	1	SM025	Ralla quadrata / Squared plate
307	1	SS022	Asta per acceleratore / Accelerator lever
374	2	AN3-20A	Vite / Bolt AN3-20A
375	2	6-B-21-52	Rear top skin fairing
376	1	6-B-6-50	Firewall soundproof