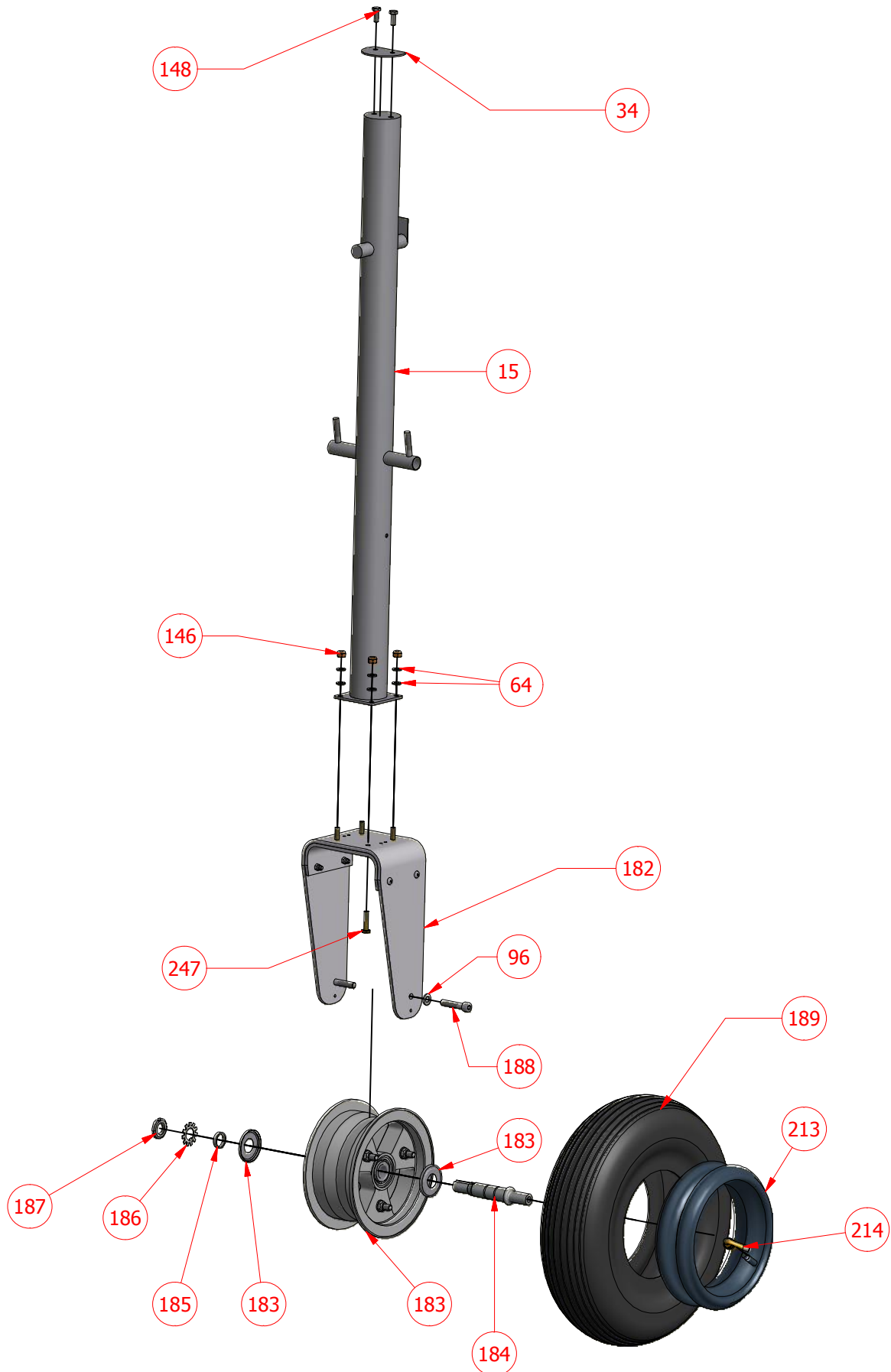


## LANDING GEAR



## LANDING GEAR

## PART LIST

PART	QTY	S / N	DESCRIPTION
13	1	6-G-3-1	Spring gear
15	1	6-G-1-1	Canotto carrello anteriore / Nose gear
17	1	SR006	Flangia perno ruota sn / Left axle flange
34	1	SF327-4	Fermo canotto / Nose gear stop
37	2	6-B-11-55	Staffa bloccaggio balestra / Main spring support
47	2	6-B-11-57	Tampone in gomma / Rudder cylinder
48	2	6-B-11-58	Main gear shim
52	4	91UA08120	Vite / Bolt M8x120
56	2	SR002	Flangia interna perno ruota / Inner axle flange
57	2	90MT-B5-5	Pinza freno a disco / Cliper disc brake
64	10	AN960-4	Rondella / Washer AN960-4
68	1	6-WFO-1-2L	Wheel cover support
92	2	6-B-11-56	Cuscino in gomma / Rudder plate
96	8	UM0816	Rondella 8 x 16 / Washer 8 x 16
98	4	MS29365-8	M8 Stopnut
146	5	MS20365-4	Dado autobloccante / Stopnut AN4
169	3	AN4-15A	Vite / Bolt AN4-15A
182	1	SS034	Wheel fork
183	1	90AZ1106L	Front rim
184	1	SR032	Nose gear axle
185	3	SR025	Distanziale / Spacer
186	3	91GR17	Rondella per ghiera / Washer for ring
187	3	91GH17	Ghiera / Ring
188	2	91UB0840	Vite esagono incassato / Bolt M8x40
189	3	90P4006-6PR	4" tire
190	2	SR009	Main gear axle
191	2	91GR24	Rondella per ghiera / Washer for ring
192	2	91GH24	Ghiera / Ring
209	2	90TS18-2	Valve fitting
210	2	90TS18-1	Brake valve
211	2	944RA18L6	90° curve connector
212	8	SR044	Boccola scorrimento pinze freno / Cliper disc brakes bush
213	3	90PC4006	4" Air tube
214	3	90PRC-3	Air tube valve
215	2	90MT-B5-5PAe	Pastiglia freno disco esterna / Outer brake lining
217	8	91UGI06	Rondella elastica Inox UNI1751 6mm
218	8	91UB0650	Vite a esagono incassato / Bolt A2 M6x50
219	6	91UM0612	Rondella piana / Washer 6x12
220	6	91UE06	Dado autobloccante / Stopnut M6 DIN982
247	4	AN4-10A	Vite / Bolt AN4-10A
248	2	90AZ1106AL	Rear rim
253	1	6-B-1-51L	Left main gear cover
254	1	6-B-1-51R	Right main gear cover
255	1	6-B-1-52	Main gear fairing connection
256	4	AN3-04A	Vite/Bolt AN4-04A