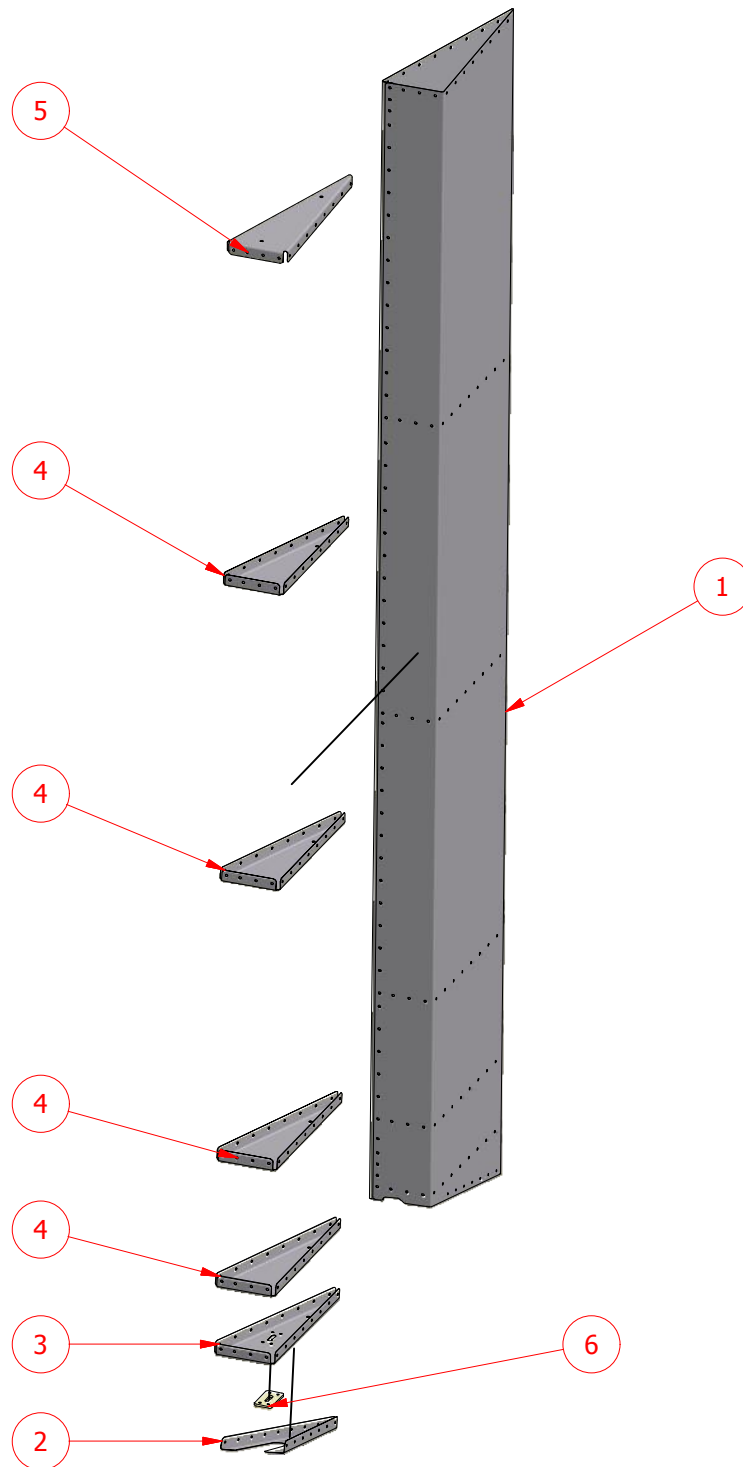


PART LIST

PART	QTY	S / N	DESCRIPTION
1	1	6-W-1-2L	Left flap skin
2	1	6-W-1-51L	Left flap rib # 0
3	1	6-W-1-50L	Left flap rib # 1
4	5	6-W-1-1L	*Varia*
6	1	6-W-1-3	Flap control plate



PART LIST

PART	QTY	S / N	DESCRIPTION
1	1	6-W-1-2R	Right flap skin
2	1	6-W-1-51R	Left flap rib # 0
3	1	6-W-1-50R	Right flap rib # 1
4	4	6-W-1-1R	Left flap rib # 2-3-4-5
5	1	6-W-1-52R	Right flap rib # 6
6	1	6-W-1-3	Flap control plate